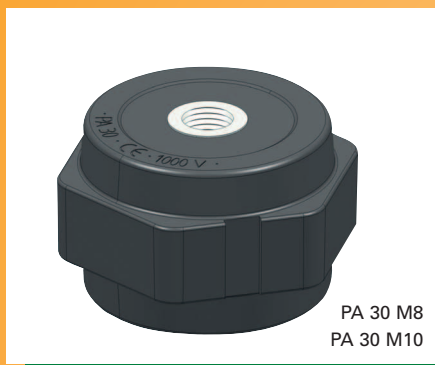


Support insulators

PROFIX PA

PROFIX PA

PROFIX PA support insulators are primarily designed for the installation and firm fixing of bus-bar systems, bus-bars, terminal boards and boxes, cable taps, live parts of instruments and other electrical facilities.



Technische Daten der Hersteller

Property	PA 30 M8 PA 30 M10	PA 40 M8 PA 40 M10 PA 40 M12	PA 50 M8 PA 50 M10 PA 50 M12
Support height	30 mm	40 mm	50 mm
Weight	90 g	110 g	165 g
Material	PA6	PA6	PA6
Operating temperature	-40 °C to +130 °C	-40 °C to +130 °C	-40 °C to +130 °C
Tensile strength	10 kN	12 kN	14 kN
Bending strength	10 kN	8 kN	6 kN
Torque	100 N/m	100 N/m	100 N/m
Rated insulating voltage	1000 V	1200 V	1200 V
Rated withstand voltage	12 kV	12 kV	12 kV
Flammability rating	UL 94-VO	UL 94-VO	UL 94-VO
Flame resistance	Hot loop 960 °C	Hot loop 960 °C	Hot loop 960 °C

Design

The body of the PROFIX PA support insulator is made of polyamide-based plastics reinforced with glass fibres. Pressed into the insulator body (40 mm diameter) from two opposite sides are steel dies for screws. The wider hexagonal part of the insulator facilitates installation of the product and its arresting so as to lock

its rotation. Owing to its design and manufacturing technology, the product features excellent thermal, mechanical as well as electrical strength.

Use

PROFIX PA support insulators are primarily designed for the construction and installation of electrical instruments and low voltage (up to 1000 V) distribution facilities. The insulators serve to install and fix bus-bar systems, bus-bars, terminal boards and boxes, cable taps and live parts of instruments to the structures of electrical facilities. They are intended for indoor installations at operating temperatures from -40 °C to +130 °C. The declared electrical, thermal and mechanical properties of the product have been certified by EZÚ Praha

(Certificate No. 1060212). Owing to their properties, PROFIX PA insulators enable safe electrical distribution facilities with a high dynamic short-circuit load to be constructed.

Support insulators

PROFIX PA

How to mount PROFIX PA support insulators

The arrangement of the support insulators must be arranged so as to meet the requirement that the calculated stress should not exceed the permissible bending load of 10 kN. Recommended

support insulator spacing data are given in the tables below to facilitate installation of selected bus-bar support systems.

Overview of support insulator spatial arrangement

The data below only apply to bus-bar systems with a single flat-mounted copper conductor in each phase. The table is optimized

for flat conductors with a rectangular cross section 5 to 10 mm thick.

60 mm (Y) system

Strip width in mm	Idyn (kA)	10	20	30	40	50	60	70	80	90	100
30		800	800	700	500	Insulator spacing (X)					
40		800	800	800	650	500					

100 mm (Y) system

Strip width in mm	Idyn (kA)	10	20	30	40	50	60	70	80	90	100
30		800	800	800	600	Insulator spacing (X)					
40		1000	1000	1000	800	700					
50		1000	1000	1000	1000	800	600	550			
60		1000	1000	1000	1000	800	700	550	500		
80		1000	1000	1000	1000	800	600	500	480	250	280

150 mm (Y) system

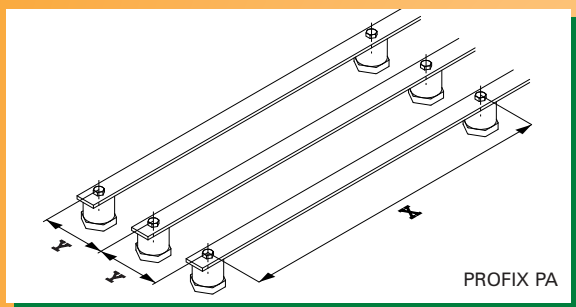
Strip width in mm	Idyn (kA)	10	20	30	40	50	60	70	80	90	100
30		800	800	800	750	Insulator spacing (X)					
40		1000	1000	1000	800	800					
50		1000	1000	1000	1000	800	800	700			
60		1000	1000	1000	1000	1000	900	800	700		
80		1000	1000	1000	1000	1000	900	800	700	600	500
100		1000	1000	1000	1000	1000	900	800	700	600	500

Support insulators

PROFIX PA

185 mm (Y) system

Strip width in mm	Idyn (kA)	10	20	30	40	50	60	70	80	90	100
30		800	800	800	800	Insulator spacing (X)					
40		1000	1000	1000	1000	900					
50		1000	1000	1000	1000	1000	900	800			
60		1000	1000	1000	1000	1000	1000	1000	800		
80		1000	1000	1000	1000	1000	1000	1000	800	700	600
100		1000	1000	1000	1000	1000	1000	1000	800	700	600
120		1000	1000	1000	1000	1000	1000	1000	800	700	600



Certificates

The product has been certified by EZÚ, Pod Lisem 129,
170 08 Praha 8, Czech Republic
Testing protocol No. 502959-01/01
Certificate No. 1051155
Date of certification: 1 December 2005

Declaration of Conformity

As demonstrated by the certification performed, PROFIX PA Series support insulators conform to the requirements of Czech and European standards and regulations. The products are labelled with the CE mark.