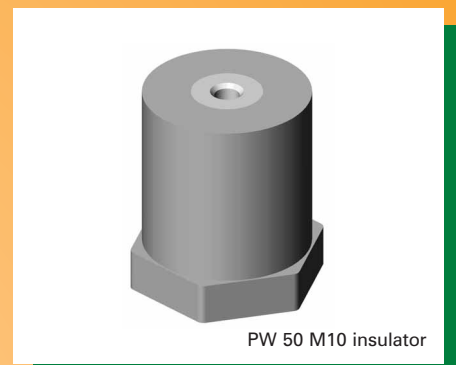
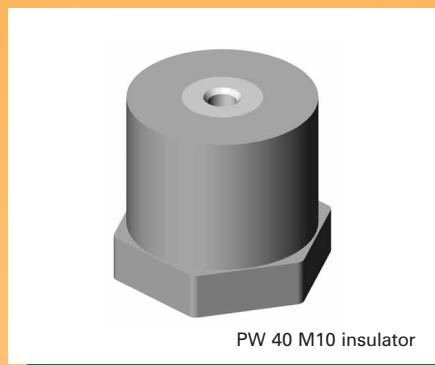
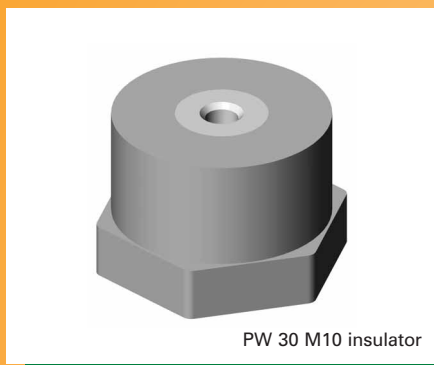


Support insulators

PROFIX PW

PW 30 • PW 40 • PW 50

PROFIX PW support insulators are primarily designed for the installation and firm fixing of bus-bar systems, bus-bars, terminal boards and boxes, cable taps, live parts of instruments and other electrical facilities.



Technical data

Technical data	PW 30 M8 PW 30 M10	PW 40 M8 PW 40 M10 PW 40 M12	PW 50 M8 PW 50 M10 PW 50 M12
Support height	30 mm	40 mm	50 mm
Weight	90 g – 88 g	120 g – 116 g – 116 g	144 g – 140 g – 140 g
Operating voltage	800 V	1 000 V	1 000 V
Operating temperature	-40 °C to +130 °C	-40 °C to +130 °C	-40 °C to +130 °C
Tensile strength	10 kN	12 kN	14 kN
Bending strength	8 kN	8 kN	5 kN
Torque	3,6 N/m	3,6 N/m	3,6 N/m
Internal breakdown voltage	20 kV	20 kV	30 kV
External breakdown voltage	10 kV	10 kV	20 kV
Flammability rating	UL 94-VO	UL 94-VO	UL 94-VO

Product design and use

The body of the PROFIX PW support insulator is made of a highly resistant polyester-based plastic reinforced with glass fibres. Pressed into the insulator body (40 mm diameter) from two opposite sides are steel dies for screws. The PROFIX PW support insulators are supplied as Model PW 30 with M8 and M10 internal threads, PW 40 with M8, M10, M12 internal threads, and PW 50 with M8, M10 and M12 internal threads.

The PROFIX PW support insulators are primarily designed for the construction and installation of electrical instruments and low voltage (up to 1000 V) distribution facilities. The insulators are used to install and fasten bus-bar systems, bus-bars, terminal boards

and boxes, cable distribution systems and live parts of instruments to the structures of electrical facilities. They are intended for indoor installations at operating temperatures from -40°C to +130°C. Owing to their properties, PROFIX PW insulators enable safe electrical distribution facilities with a high dynamic short-circuit load to be constructed.

Declaration of Conformity

DELTA series bus-bar supports conform to the requirements of technical standards and regulations – TP 2002103, ČSN EN 6060243-1/99, ČSN EN 60695-2-11/01. The product has been certified by EZÚ, Pod Lisem 129, 171 02 Praha 8, Czech Republic.

Support insulators

PROFIX PW

60 mm (Y) system

Strip width in mm	Idyn (kA)	10	20	30	40	50	60	70	80	90	100
30		800	800	700	500	Insulator spacing (X)					
40		800	800	800	650	500					

100 mm (Y) system

Strip width in mm	Idyn (kA)	10	20	30	40	50	60	70	80	90	100
30		800	800	800	600	Insulator spacing (X)					
40		1000	1000	1000	800	700					
50		1000	1000	1000	1000	800	600	550			
60		1000	1000	1000	1000	800	700	550	500		
80		1000	1000	1000	1000	800	600	500	480	250	280

150 mm (Y) system

Strip width in mm	Idyn (kA)	10	20	30	40	50	60	70	80	90	100
30		800	800	800	750	Insulator spacing (X)					
40		1000	1000	1000	800	800					
50		1000	1000	1000	1000	800	800	700			
60		1000	1000	1000	1000	1000	900	800	700		
80		1000	1000	1000	1000	1000	900	800	700	600	500
100		1000	1000	1000	1000	1000	900	800	700	600	500

185 mm (Y) system

Strip width in mm	Idyn (kA)	10	20	30	40	50	60	70	80	90	100
30		800	800	800	800	Insulator spacing (X)					
40		1000	1000	1000	1000	900					
50		1000	1000	1000	1000	1000	900	800			
60		1000	1000	1000	1000	1000	1000	1000	800		
80		1000	1000	1000	1000	1000	1000	1000	800	700	600
100		1000	1000	1000	1000	1000	1000	1000	800	700	600
120		1000	1000	1000	1000	1000	1000	1000	800	700	600

